

RM2105

FIRE ALARM CONCENTRATOR



- . **Monitors fire alarm systems and provides alarm and response actions**
- . **Provides up to 16 dedicated line (PAPL) connections from the field**
- . **Can be connected to computer despatch and response systems**
- . **Up to 13 additional RM2106 16 line expansion modules**

The **ROMTECK RM2105 CONCENTRATOR** is a purpose designed unit specifically for Direct Brigade Alarm monitoring of Fire Indicator Panels (FIP) and sprinkler systems in small country towns, industrial complex, mine sites, airports, military installations or institutional applications.

The **RM2105** allows connection of up to 16 dedicated leased lines for connection of a maximum of 8 **ROMTECK ALARM SIGNALLING EQUIPMENT** units (ASE, PPU or ATU) per line and giving the unit a capacity of up to 128 ASE devices or buildings. Each ASE can accept up to 8 inputs, these can be individually defined as Primary or Secondary alarms, therefore providing a powerful, and cost effective solution to remote alarm monitoring.

The unit is a 2U high, 19" rack mounted enclosure with an integral Liquid Crystal Display (LCD) panel and simplified keypad for alarm indication, acknowledgment and inquiry. The unit can cater for voice annunciation, 16 individual line interfaces, isolation and external display and printer interfaces as well as operating over FSK to integrate into a RM2100 Multiplexor system. Outputs provide local activation or alerting on receipt of a Fire or Fault condition on any enabled alarm. All cabling terminations are provided on the rear of the unit via appropriate plug in connectors and therefore requiring no need for access to the interior of the unit.

Remote devices and alarms can be disabled at the Concentrator to stop false triggering during maintenance procedures or renovations. Indication of alarms is through the front panel mounted LCD display, printer or an external computer system such as "**FIREMON**" may be connected. For remote reporting, the system can utilise its internal modem to dial a control centre and report any currently active alarms. When combined with the "**FIREMON**" software the user has access to graphic displays of building floor plans, alarm names and locations special conditions and procedures to be followed. A printer can be connected to the system for logging of alarm activity and a record is maintained of all alarms tested on the system by the Building Managers or Fire Agents.

The **RM2105** provides very high integrity monitoring with checking of the system from end to end being performed every 2-3 seconds as is the sensing and reporting of a fire alarm at the building. Testing of the Fire Panel can be carried out by the fire maintenance contractor and all tests can be logged to the printer if connected.

The **ROMTECK RM2105 DIRECT BRIGADE ALARM CONCENTRATOR** forms part of the extensive range of Fire Monitoring and Telemetry products designed and manufactured in Australia by ROMTECK. These include systems for Metropolitan, Country and State wide Direct Brigade Alarm monitoring as well as integrated communication, and Remote Control and Command Systems. For further information on the larger systems or any other products please contact ROMTECK to discuss your requirements.

SPECIFICATION

FEATURES

- ◆ 19" rack enclosure 2U high.
- ◆ 240VAC operation (12 & 24V DC optional).
- ◆ Individual Alarm Enable/Disable
- ◆ Alarm Query
- ◆ Test Alarm Query
- ◆ Fire Alarm Alerting
- ◆ Fault Alarm Alerting
- ◆ Integral Display and Simplified Keypad.
- ◆ External Terminal/Computer Support
- ◆ External Printer Support
- ◆ Internal 2400 baud Full Duplex Modem
- ◆ Up to 16 Permanent Attached Private Lines per Unit
- ◆ Error Detection on Communication Links.
- ◆ Remote Acknowledge Input for Alarms
- ◆ Real Time Clock
- ◆ Integrates with RM2100 system
- ◆ Supports additional RM2106 line driver modules
- ◆ Optional Modbus Interface
- ◆ Up to 128 IP Based ASE

MECHANICAL

HEIGHT	2U high (85mm)
WIDTH	19" (482 mm)
DEPTH	250mm

ENVIRONMENTAL

Operating Temperature:	-10 to +60 deg C
Humidity:	0 to 90 % non condensing

Engineering support is important when considering the purchase of alarm monitoring equipment.

ROMTECK offers the following services:

- System Design
- System Integration
- Installation and Maintenance
- Service Manuals
- On-going Support

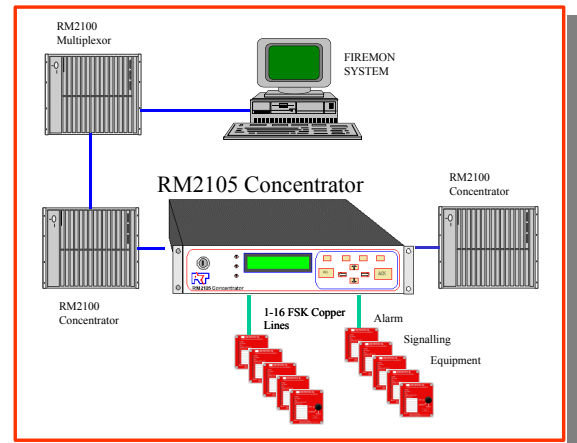
These services combined with many years of practical experience with systems throughout Australia, provide the essential elements for a safe and reliable system that can be installed with confidence.



RM2105 FRONT PANEL



RM2105 REAR PANEL



For further product information on systems described within this brochure or any other ROMTECK products please contact the nearest ROMTECK office shown below.

ROMTECK AUSTRALIA PTY LTD
37 COLLINGWOOD ST
OSBORNE PARK 6017
WESTERN AUSTRALIA

PHONE (61) 8 9244 3011
FAX (61) 8 9244 2649
Email sales@romteck.com

